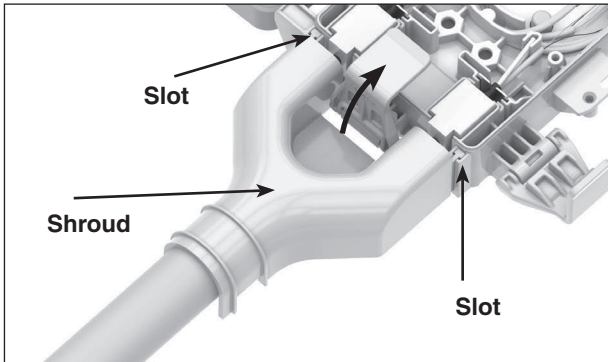


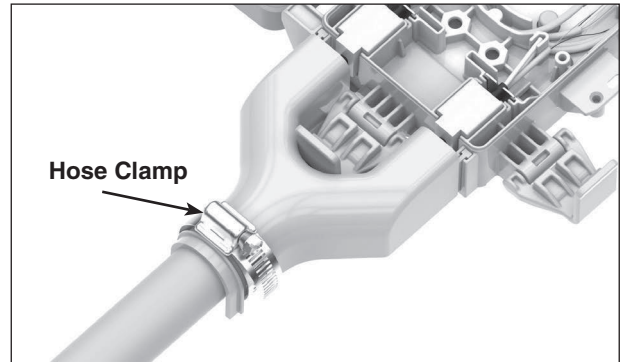
## COYOTE<sup>®</sup> STP Cable Shroud Kit

Be sure to read and completely understand this procedure before applying product. Be sure to select the proper PREFORMED<sup>™</sup> product before application.

**Step 1:** Install the latches onto the base. Rotate the bottom latch into the upright position. Slide the cable shroud into the slots of the base, as shown below.



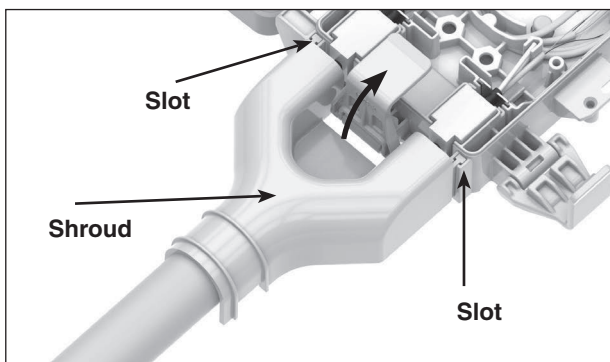
**Step 2:** Secure the shroud to the conduit with the hose clamp provided.



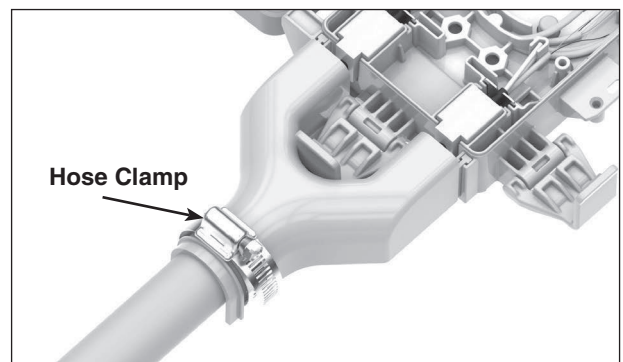
## COYOTE<sup>®</sup> STP Cable Shroud Kit

Be sure to read and completely understand this procedure before applying product. Be sure to select the proper PREFORMED<sup>™</sup> product before application.

**Step 1:** Install the latches onto the base. Rotate the bottom latch into the upright position. Slide the cable shroud into the slots of the base, as shown below.



**Step 2:** Secure the shroud to the conduit with the hose clamp provided.



## **SAFETY CONSIDERATIONS**

This application procedure is not intended to supersede any company construction or safety standards. This procedure is offered only to illustrate safe application for the individual. **FAILURE TO FOLLOW THESE PROCEDURES MAY RESULT IN PERSONAL INJURY OR DEATH.**

Do not modify this product under any circumstances.

This product is intended for use by trained technicians only. This product should not be used by anyone who is not familiar with, and not trained to use it.

When working in the area of energized lines, extra care should be taken to prevent accidental electrical contact.

For proper performance and personal safety, be sure to select the proper size PREFORMED™ product before application.

PREFORMED products are precision devices. To insure proper performance, they should be stored in cartons under cover and handled carefully.



# **PREFORMED** LINE PRODUCTS

P.O. Box 91129, Cleveland, Ohio 44101 • 440.461.5200 • [www.preformed.com](http://www.preformed.com) • e-mail: [inquiries@preformed.com](mailto:inquiries@preformed.com)  
**SP3397**

## **SAFETY CONSIDERATIONS**

This application procedure is not intended to supersede any company construction or safety standards. This procedure is offered only to illustrate safe application for the individual. **FAILURE TO FOLLOW THESE PROCEDURES MAY RESULT IN PERSONAL INJURY OR DEATH.**

Do not modify this product under any circumstances.

This product is intended for use by trained technicians only. This product should not be used by anyone who is not familiar with, and not trained to use it.

When working in the area of energized lines, extra care should be taken to prevent accidental electrical contact.

For proper performance and personal safety, be sure to select the proper size PREFORMED™ product before application.

PREFORMED products are precision devices. To insure proper performance, they should be stored in cartons under cover and handled carefully.



# **PREFORMED** LINE PRODUCTS

P.O. Box 91129, Cleveland, Ohio 44101 • 440.461.5200 • [www.preformed.com](http://www.preformed.com) • e-mail: [inquiries@preformed.com](mailto:inquiries@preformed.com)  
**SP3397**