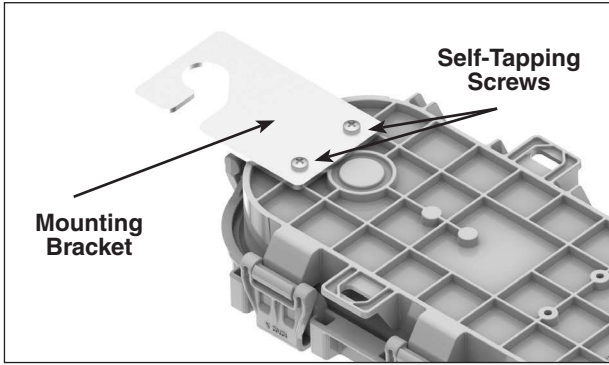


# COYOTE® STP Pedestal Mounting Bracket Kit for Charles Industries PEDLOCK® BD4 & BD5 Pedestals

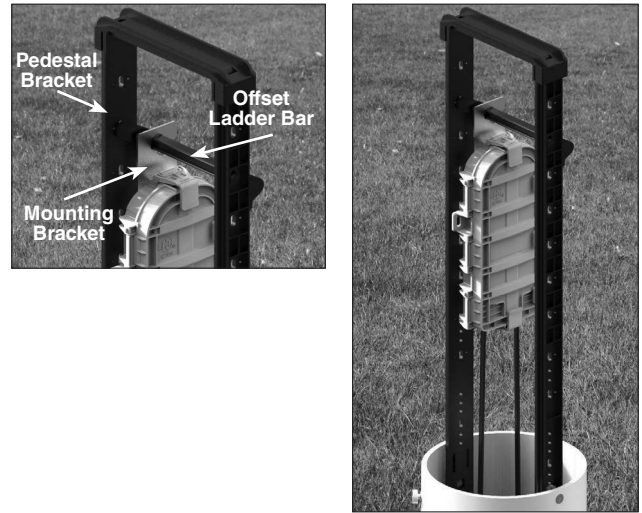
Be sure to read and completely understand this procedure before applying product. Be sure to select the proper PREFORMED™ product before application.

**Step 1:** Secure the mounting bracket to the back of the base with the self-tapping screws that are provided.



PEDLOCK® is a registered trademark of Charles Industries Ltd.

**Step 2:** Hang the closure from the offset ladder bar of the pedestal bracket with the mounting bracket, as shown below.

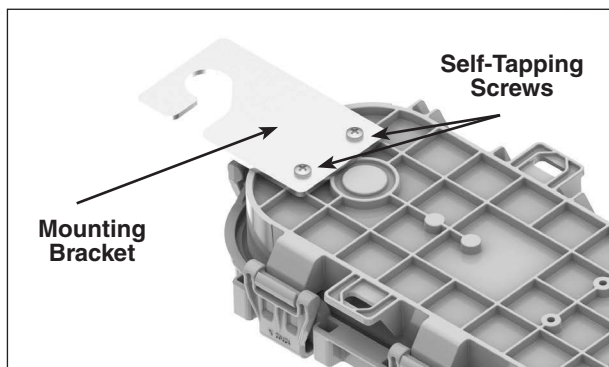


© 2016 Preformed Line Products Company. All rights reserved.

# COYOTE® STP Pedestal Mounting Bracket Kit for Charles Industries PEDLOCK® BD4 & BD5 Pedestals

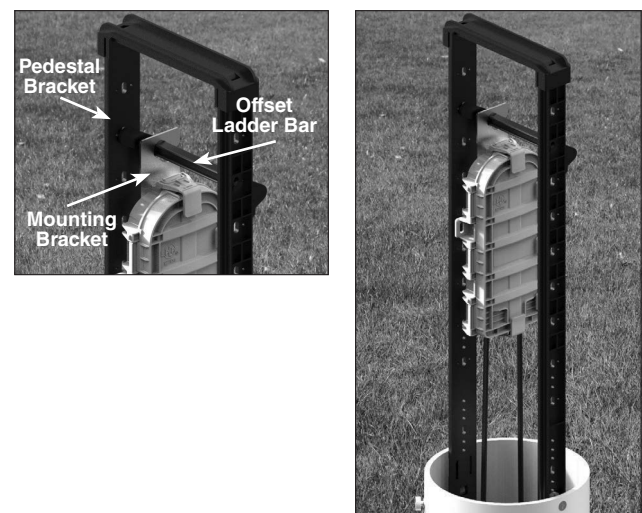
Be sure to read and completely understand this procedure before applying product. Be sure to select the proper PREFORMED™ product before application.

**Step 1:** Secure the mounting bracket to the back of the base with the self-tapping screws that are provided.



PEDLOCK® is a registered trademark of Charles Industries Ltd.

**Step 2:** Hang the closure from the offset ladder bar of the pedestal bracket with the mounting bracket, as shown below.



© 2016 Preformed Line Products Company. All rights reserved.

## **SAFETY CONSIDERATIONS**

This application procedure is not intended to supersede any company construction or safety standards. This procedure is offered only to illustrate safe application for the individual. **FAILURE TO FOLLOW THESE PROCEDURES MAY RESULT IN PERSONAL INJURY OR DEATH.**

Do not modify this product under any circumstances.

This product is intended for use by trained technicians only. This product should not be used by anyone who is not familiar with, and not trained to use it.

When working in the area of energized lines, extra care should be taken to prevent accidental electrical contact.

For proper performance and personal safety, be sure to select the proper size PREFORMED™ product before application.

PREFORMED products are precision devices. To insure proper performance, they should be stored in cartons under cover and handled carefully.



# **PREFORMED** LINE PRODUCTS

P.O. Box 91129, Cleveland, Ohio 44101 • 440.461.5200 • [www.preformed.com](http://www.preformed.com) • e-mail: [inquiries@preformed.com](mailto:inquiries@preformed.com)  
**SP3398**

## **SAFETY CONSIDERATIONS**

This application procedure is not intended to supersede any company construction or safety standards. This procedure is offered only to illustrate safe application for the individual. **FAILURE TO FOLLOW THESE PROCEDURES MAY RESULT IN PERSONAL INJURY OR DEATH.**

Do not modify this product under any circumstances.

This product is intended for use by trained technicians only. This product should not be used by anyone who is not familiar with, and not trained to use it.

When working in the area of energized lines, extra care should be taken to prevent accidental electrical contact.

For proper performance and personal safety, be sure to select the proper size PREFORMED™ product before application.

PREFORMED products are precision devices. To insure proper performance, they should be stored in cartons under cover and handled carefully.



# **PREFORMED** LINE PRODUCTS

P.O. Box 91129, Cleveland, Ohio 44101 • 440.461.5200 • [www.preformed.com](http://www.preformed.com) • e-mail: [inquiries@preformed.com](mailto:inquiries@preformed.com)  
**SP3398**