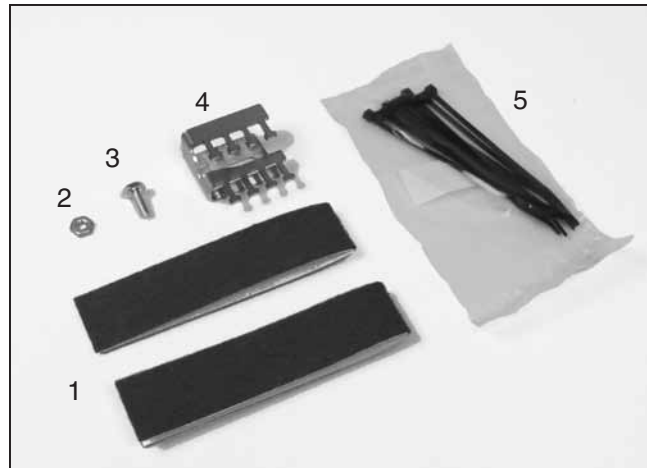


8 Position Cable Retention Bracket

Be sure to read and completely understand this procedure before applying product. Be sure to select the proper PREFORMED product before application.

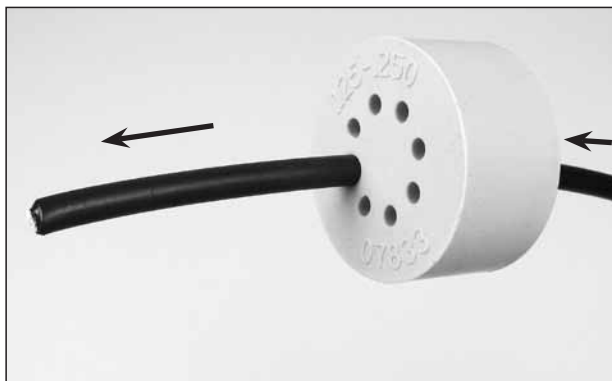


NOMENCLATURE

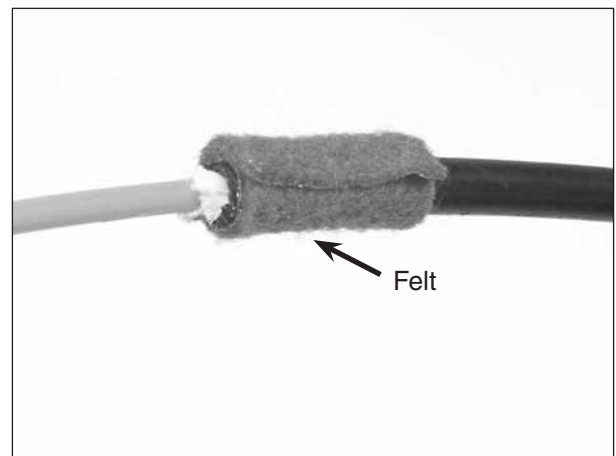
- | | | |
|--------------------|-------------------------------------|----------------------|
| 1. Felt Strips (2) | 3. Hex Head Bolt (1) | 5. Tie Wraps (1 bag) |
| 2. Nut (1) | 4. 8 Position Retention Bracket (1) | |

Cable Preparation

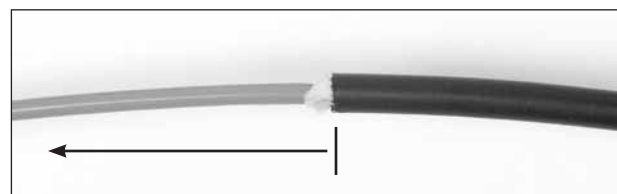
Step #1 Insert cable through 8-Hole Grommet (Grommet Kit P/N: 8003677).



Step #3 Place felt around the cable at the sheath opening as shown below.



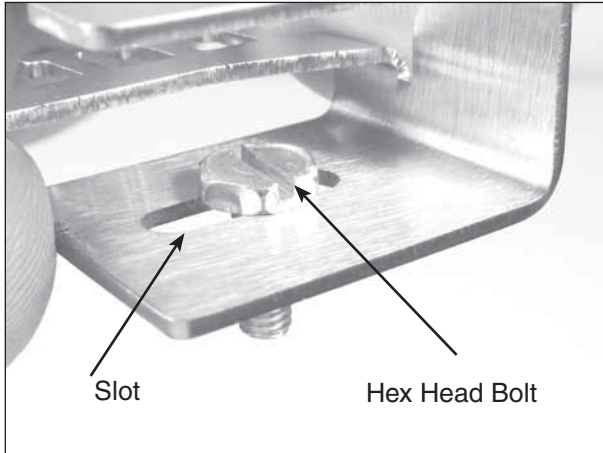
Step #2 Remove cable sheath according to the closure application procedure.



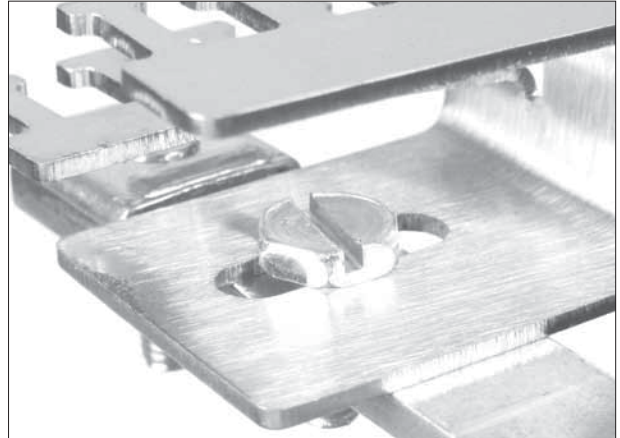
NOTE: Only install and prepare the first four cables in the grommet at this time.

Installing 8 Position Retention Bracket

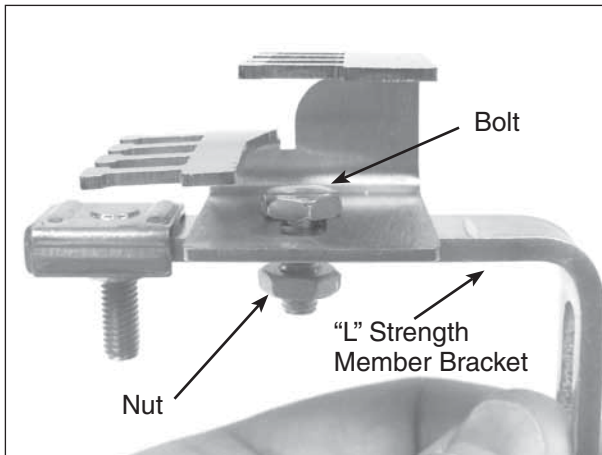
Step #4 Insert hex head bolt in slot of 8 position retention bracket as shown below.



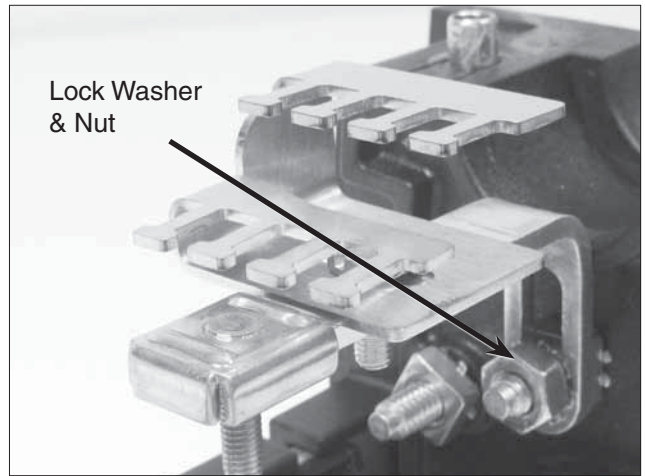
Step #7 Make sure when tightening the nut that the bolt is positioned in the middle of the slot of the retention bracket as shown below.



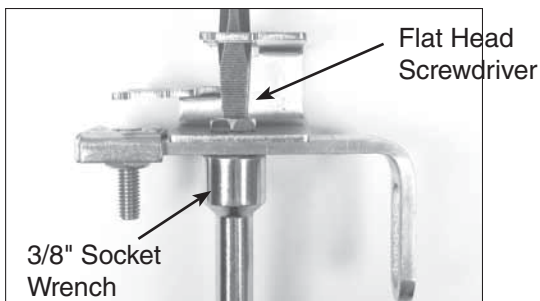
Step #5 Place hex head bolt through slot of "L" Strength Member Bracket and install nut on bolt.



Step #8 Secure strength member bracket to stud of closure with a lock washer and nut provided in the closure kit.

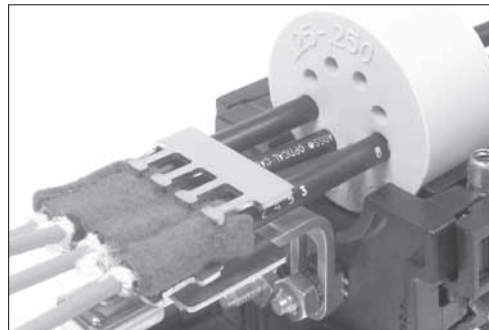


Step #6 Tighten nut to secure retention bracket to strength member bracket using a 3/8" socket wrench or can wrench and a flat head screwdriver as shown below.

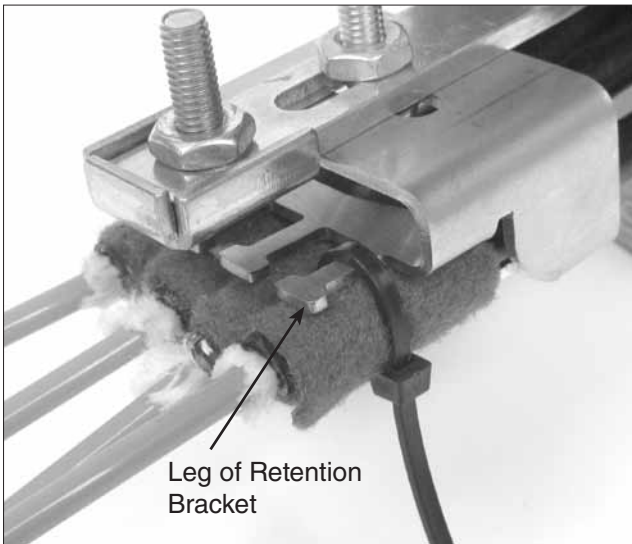
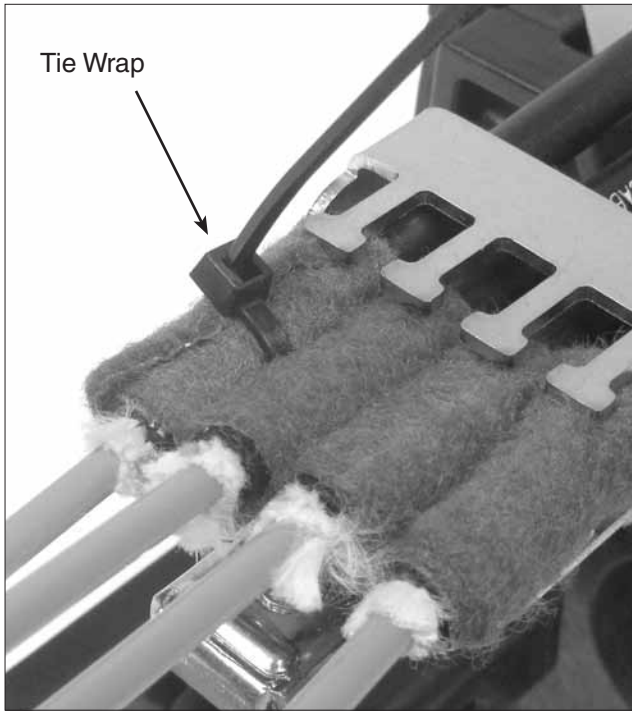


Securing Cable to Retention Bracket

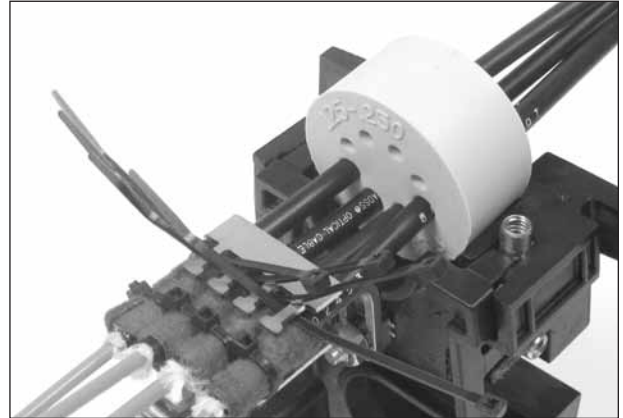
Step #9 Place the grommet with the first 4 cables installed in the grommet in the grommet pocket of closure. Adjust the cables so that they are positioned above the bottom layer of the retention bracket.



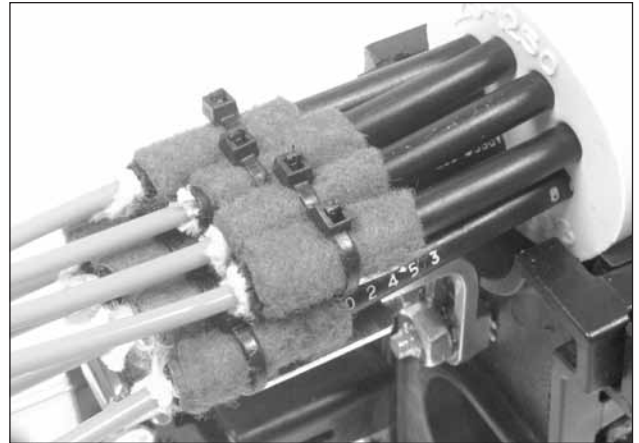
Step #10 Secure the cables to the bottom legs of the retention bracket with tie wraps as shown below.



Step #11 Install tie wraps under the legs of the top layer of the retention bracket as shown below.



Step #12 Install the last 4 cables in the grommet and prepare each cable as shown in steps 2 and 3. Adjust the cables so that they are positioned above the top layer of the retention bracket and secure the cables with the tie wraps.



SAFETY CONSIDERATIONS

This application procedure is not intended to supersede any company construction or safety standards. This procedure is offered only to illustrate safe application for the individual.

FAILURE TO FOLLOW THESE PROCEDURES MAY RESULT IN PERSONAL INJURY OR DEATH.

Do not modify this product under any circumstances.

This product is intended for use by trained technicians only. **This product should not be used by anyone who is not familiar with, and not trained to use it.**

When working in the area of energized lines, extra care should be taken to prevent accidental electrical contact.

For proper performance and personal safety, be sure to select the proper size PREFORMED product before application.

PREFORMED products are precision devices. To insure proper performance, they should be stored in cartons under cover and handled carefully.



PREFORMED LINE PRODUCTS

P.O. Box 91129, Cleveland, Ohio 44101 • 440.461.5200 • www.preformed.com • e-mail: inquiries@preformed.com

SP3146